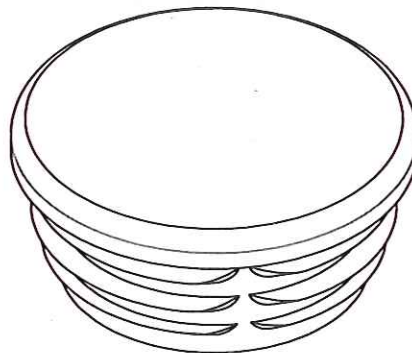
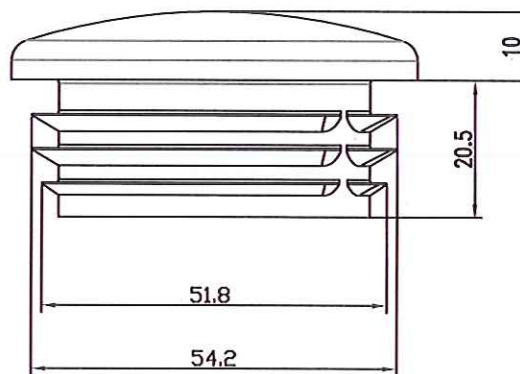
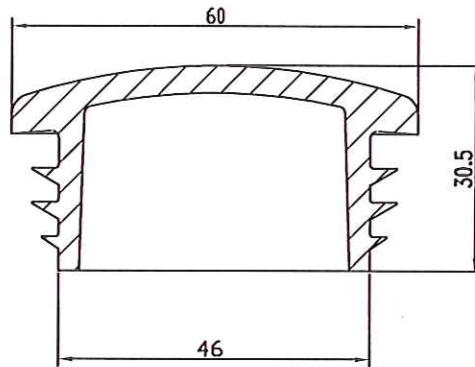


ROUND INTERNAL TUBE INSERT 2 3/8" (60.3mm) DIA TUBE 3.2 - 5.0 MM WALL THICKNESS
CODE P60 2.3-5.0MMB
50 MM N.B



FITS 2 3/8 INCH TUBE (60.3mm) DIA TUBE 3.2 - 5.0 MM WALL THICKNESS MATERIAL
MATERIAL: POLYETHYLENE
STOCK ITEM COLOUR BLACK
COLOURS AVAILABLE ON REQUEST
PROUDLY MADE IN AUSTRALIA