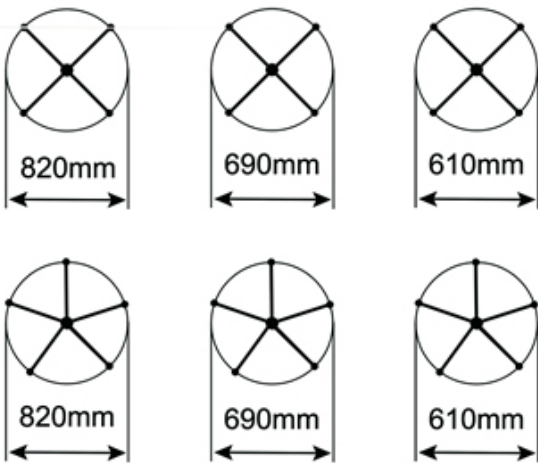
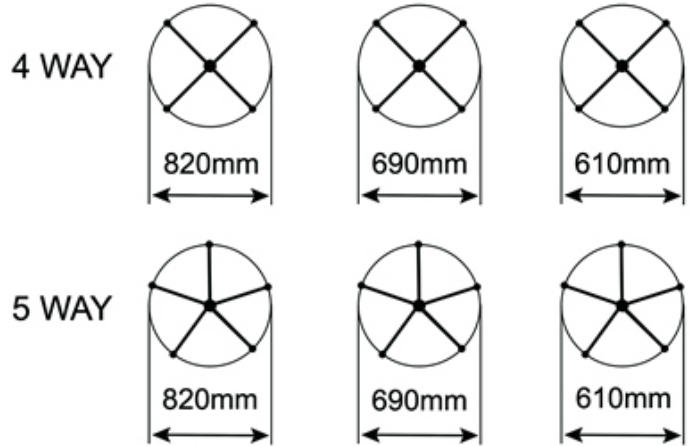


T1026 i MONACO SERIES POWDER COATED TABLE BASES Page 2



RECOMMENDED TABLE TOP SIZE

	ROUND TOP					SQUARE TOP					
	600	700	800	1000	1200	500	600	700	750	800	900
1026 i 4WAY 610 PC						•	•				
1026 i 5WAY 610 PC	•	•	•								
1026 i 4WAY 690 PC							•	•	•		
1026 i 5WAY 690 PC			•	•							
1026 i 4WAY 820 PC									•	•	•
1026 i 5WAY 820 PC				•	•						

- ADJUSTABLE GLIDES
- FULLY WELDED TABLE FRAME
- STANDARD HEIGHT 695MM
- STANDARD FINISH BLACK POWDER COATED
- AVAILABLE IN POWDER COATED COLOURS
- AVAILABLE WITH LARGER DIA. CENTRE COLUMN
- 4 WAY OR 5 WAY BASES