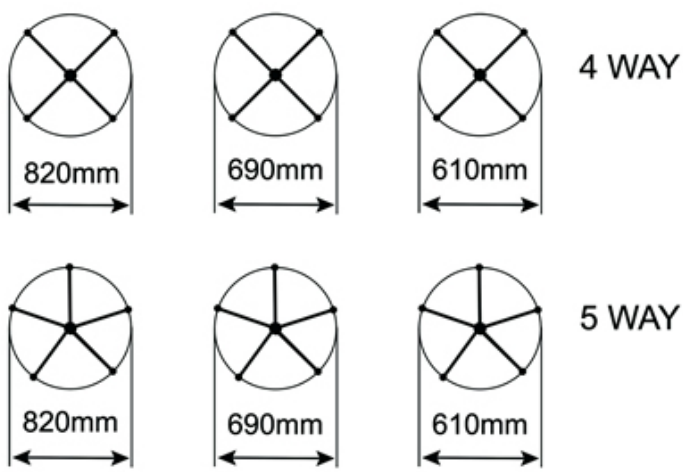
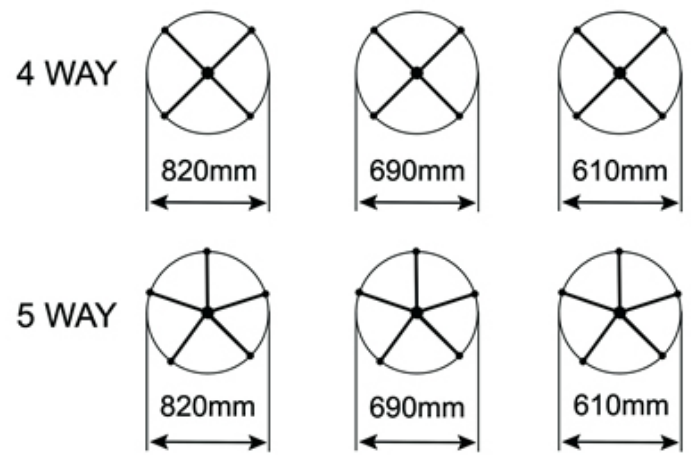


**T1026 i MONACO SERIES CHROME TABLE BASES Page 1**

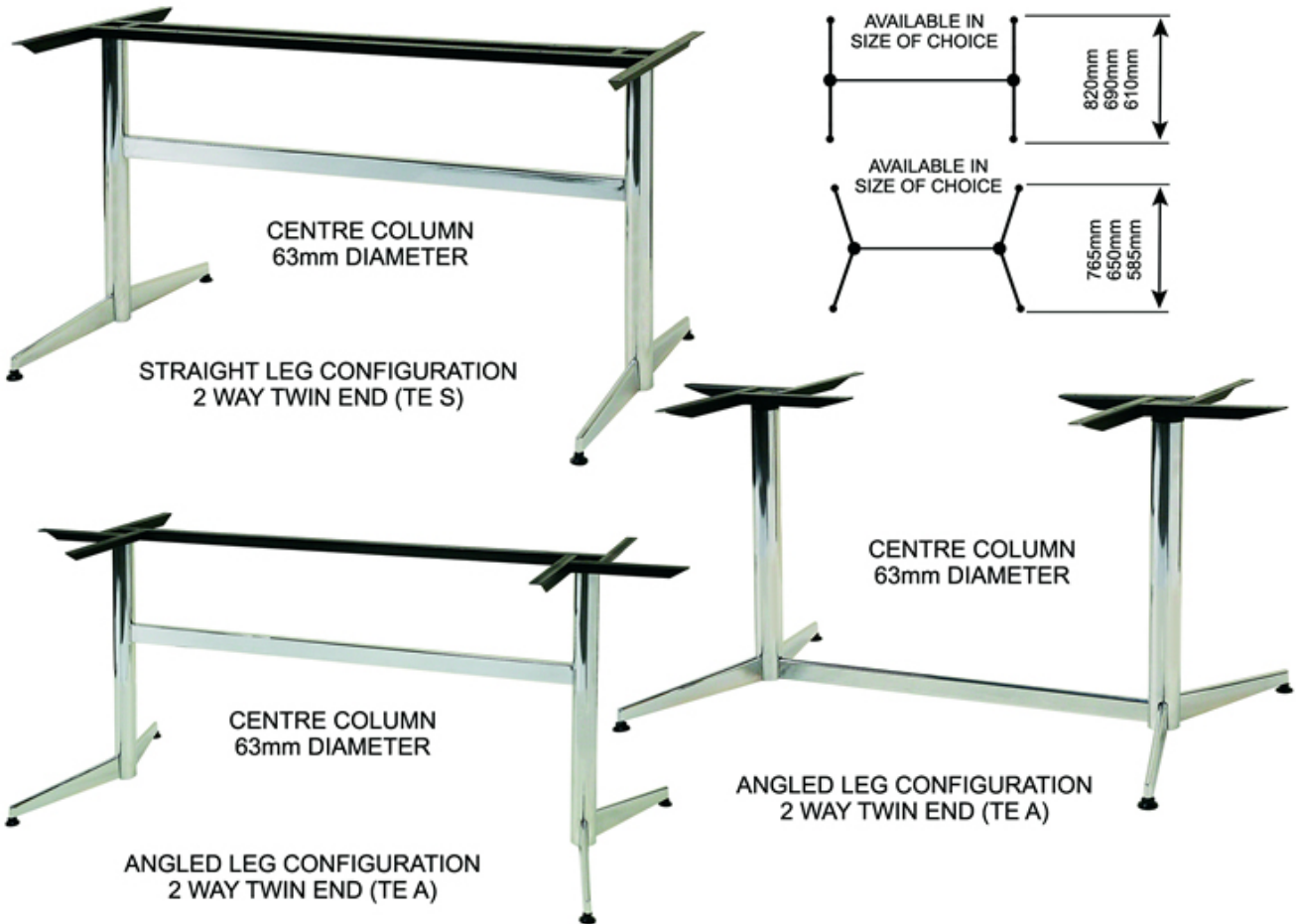


**RECOMMENDED TABLE TOP SIZE**

	ROUND TOP					SQUARE TOP					
	600	700	800	1000	1200	500	600	700	750	800	900
1026 i 4WAY 610 C						•	•				
1026 i 5WAY 610 C	•	•	•								
1026 i 4WAY 690 C							•	•	•		
1026 i 5WAY 690 C			•	•							
1026 i 4WAY 820 C									•	•	•
1026 i 5WAY 820 C				•	•						

- ADJUSTABLE GLIDES
- STANDARD HEIGHT 695MM
- STANDARD FINISH BRIGHT CHROME
- AVAILABLE IN SATIN CHROME
- 4 WAY OR 5 WAY BASES
- AVAILABLE IN FIXED OR KNOCKDOWN

## T1026 i MONACO SERIES CHROME TABLE BASES Page 3



OTHER CONFIGURATIONS AVAILABLE  
MULTIPLE CENTRE COLUMNS WITH ANGLED OR STRAIGHT LEG

TE	TWIN ENDS
S	STRAIGHT LEGS
A	ANGLED LEGS
C	CHROME PLATED



CENTRE COLUMN SPACING IN SIZE OF CHOICE

### RECOMMENDED TABLE TOP WIDTH

	600	700	750	900	1000	1100
1026 i 2WAY 820 TE SC				•	•	•
1026 i 2WAY 690 TE SC			•	•	•	
1026 i 2WAY 610 TE SC		•	•	•		
1026 i 2WAY 765 TE AC				•	•	•
1026 i 2WAY 650 TE AC			•	•	•	
1026 i 2WAY 585 TE AC	•	•	•			

- ADJUSTABLE GLIDES
- STANDARD HEIGHT 695MM
- STANDARD FINISH BRIGHT CHROME
- AVAILABLE IN POWDER COATED FULLY WELDED WITH 63mm DIAMETER CENTRE COLUMN
- AVAILABLE IN SATIN CHROME
- AVAILABLE IN KNOCKDOWN
- AVAILABLE IN FLAT PACK UNASSEMBLED
- AVAILABLE IN VARIOUS TOP FRAME CONFIGURATIONS